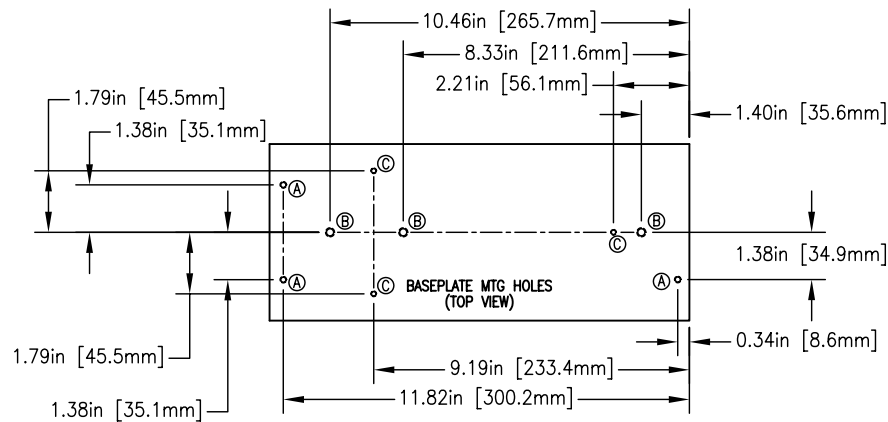


# 210 Air-cooled Argon-Ion Laser

## Large Fan Configuration



LETTER	HOLE DESCRIPTION
(A)	10-32 UNC-28
(B)	M6
(C)	8-32 UNC-28

